
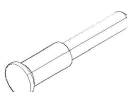

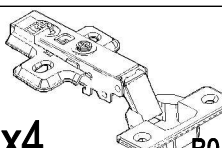
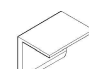
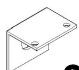
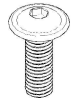



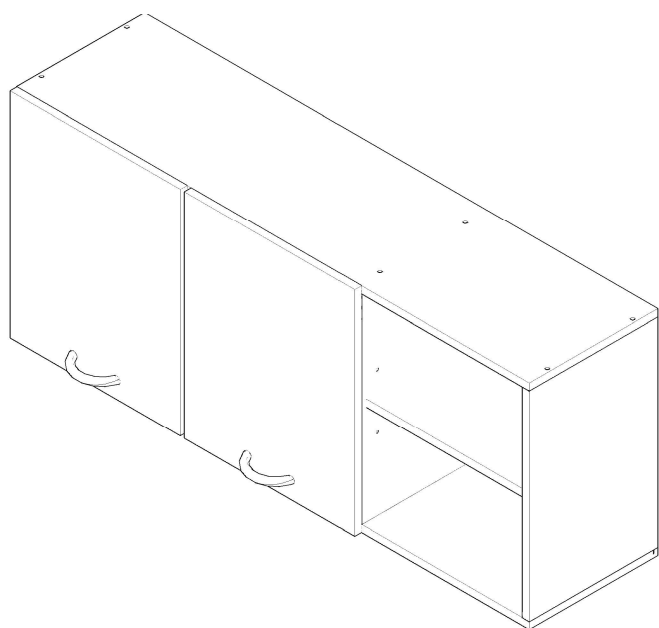
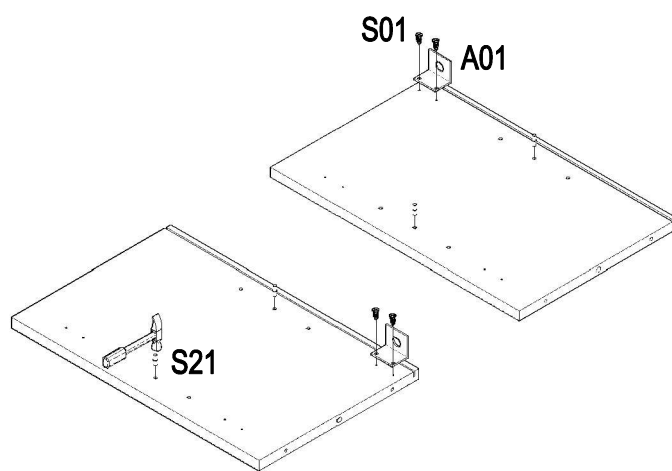


# NR. 85.1

 <b>3.5x16</b> <b>S01 x20</b>	 <b>S02 x12</b>	 <b>D01 x1</b>	 <b>x4</b>	 <b>A01 x2</b>	 <b>S11 x4</b>	 <b>M4X22 x4</b>
 <b>M01 x2</b>	 <b>S21 x8</b>	 <b>C01 x12</b>				

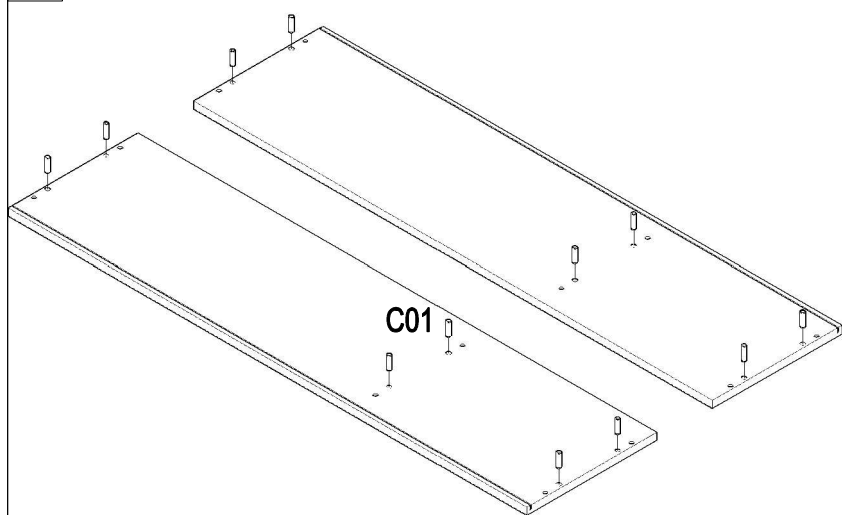


**1.**



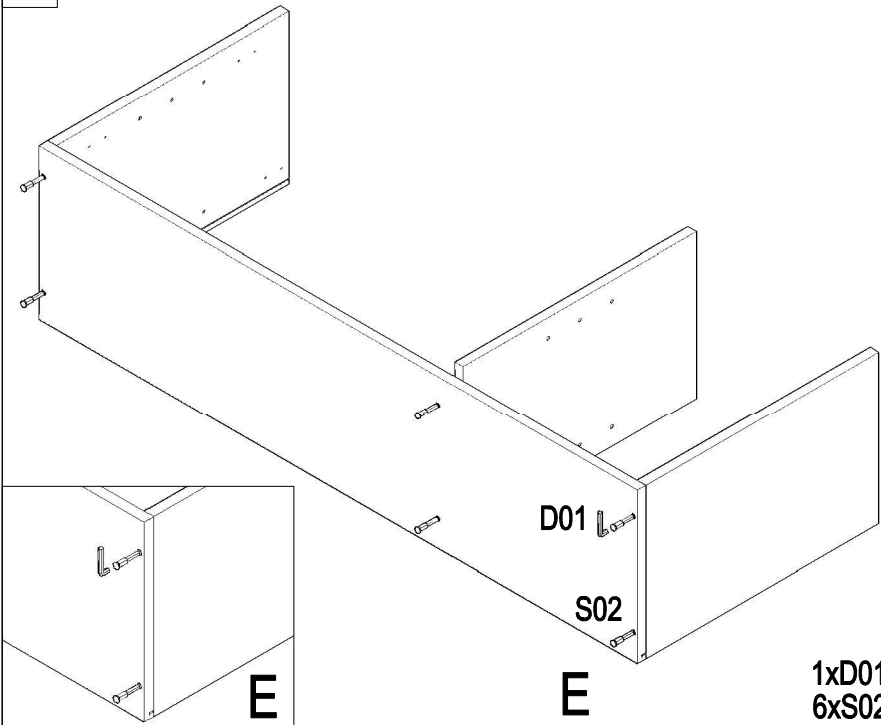
4xS21  
2xA01  
4xS01

**2.**



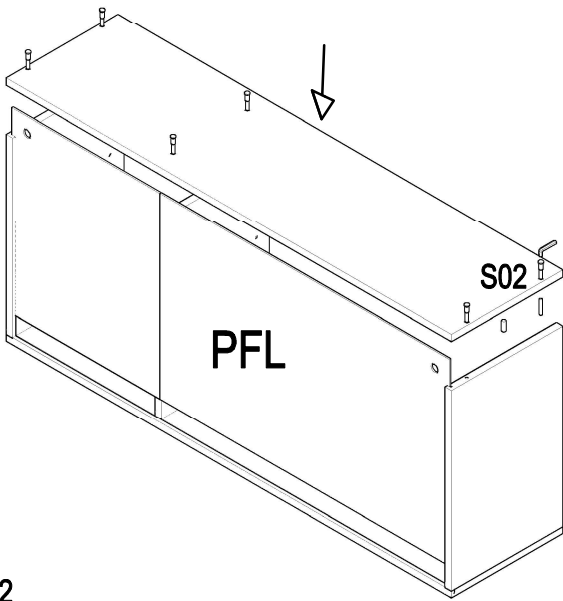
12xC01

3.



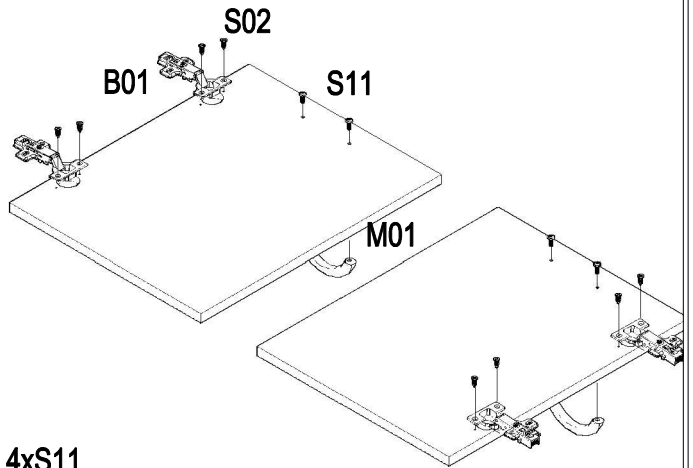
1xD01  
6xS02

4.



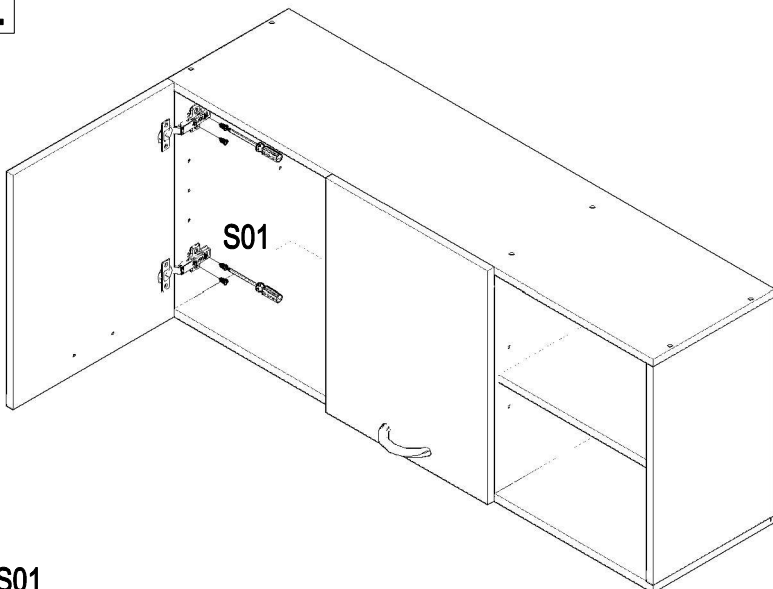
6xS02

5.



4xS11  
8xS01  
2xM01  
4xB01

6.



8xS01